



## Pulegge dentate RPP per bussola conica **POGGILOCK**<sup>®</sup>

RPP timing belt pulleys for taper bush **POGGILOCK**<sup>®</sup>

RPP Zahnriemenscheiben für Spannbuchse **POGGILOCK**<sup>®</sup>

Poulies dentées RPP pour moyeu amovible **POGGILOCK**<sup>®</sup>

Poleas dentadas RPP para casquillo cónico **POGGILOCK**<sup>®</sup>





# Pulegge dentate RPP per bussola conica **POGGILOCK**<sup>®</sup>

RPP timing belt pulleys for taper bush **POGGILOCK**<sup>®</sup>

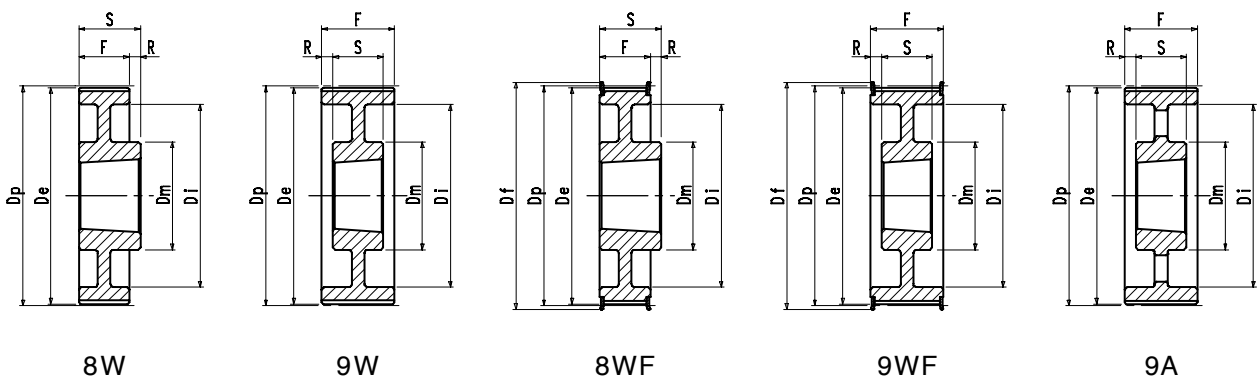
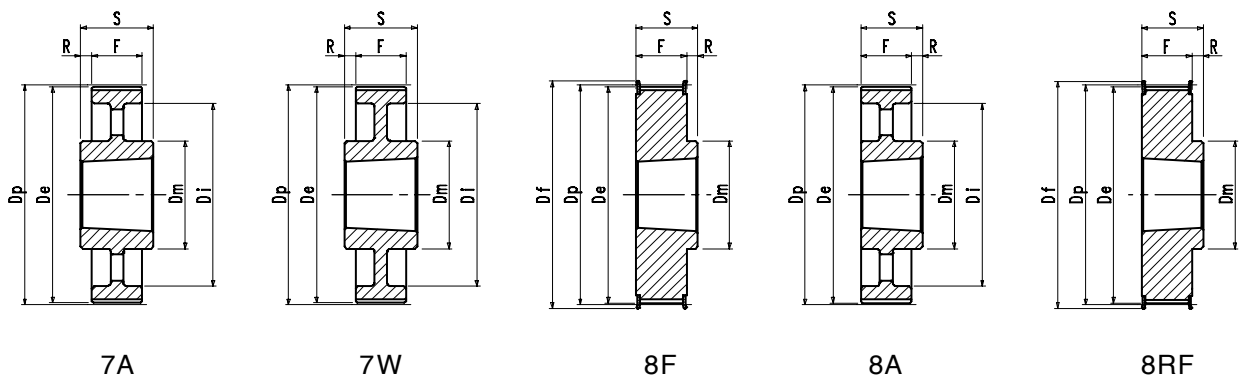
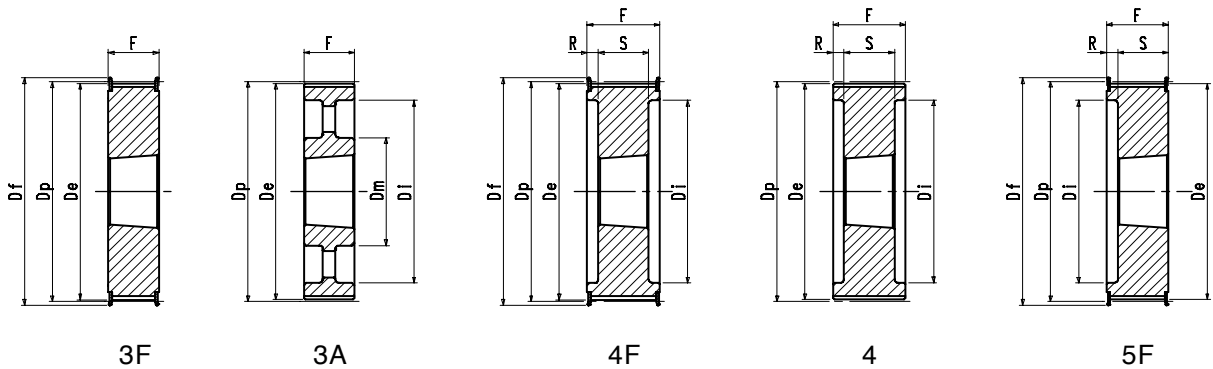
RPP Zahnriemenscheiben für Spannbuchse **POGGILOCK**<sup>®</sup>

Poulies dentées RPP pour moyeu amovible **POGGILOCK**<sup>®</sup>

Poleas dentadas RPP para casquillo cónico **POGGILOCK**<sup>®</sup>

## Forme costruttive

Design features - Konstruktionsmerkmale - Caractéristiques - Características





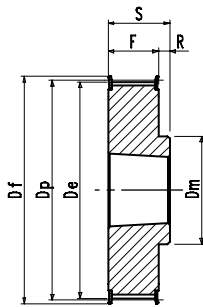
# Pulegge dentate RPP per bussola conica **POGGILOCK**<sup>®</sup>

RPP timing belt pulleys for taper bush **POGGILOCK**<sup>®</sup>

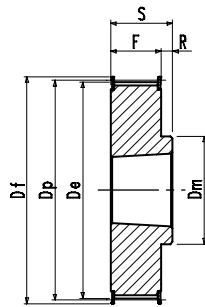
RPP Zahnriemenscheiben für Spannbuchse **POGGILOCK**<sup>®</sup>

Poulies dentées RPP pour moyeu amovible **POGGILOCK**<sup>®</sup>

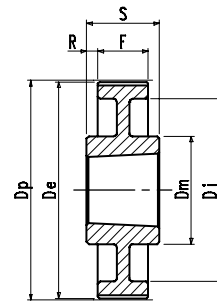
Poleas dentadas RPP para casquillo cónico **POGGILOCK**<sup>®</sup>



8RF



8F



7W

## RPP 5 - 15 Passo - Pitch - Teilung - Pas - Paso 5 mm

Material Material Werkstoff Matériel Material	Code Item number Codierung Code Código	Descrizione Designation Bezeichnung Désignation Referencia	Bussola Bush Buchse Moyeu Casquillo	Foro Bore Bohrung Alésage Agujero max mm	Dp mm	De mm	Df mm	Dm mm	Di mm	F mm	S mm	R mm	Peso Weight Gewicht Poids Peso kg
Acciaio Steel Stahl Acier Acero	53F034015P	PL 34 RPP 5 15 - 8RF	1008	25	54,11	52,97	57,0	43,0	-	20,5	22,0	1,50	0,190
	53F036015P	PL 36 RPP 5 15 - 8RF	1108	28	57,30	56,16	60,0	44,0	-	20,5	22,0	1,50	0,200
	53F038015P	PL 38 RPP 5 15 - 8RF	1108	28	60,48	59,34	66,0	48,0	-	20,5	22,0	1,50	0,250
	53F040015P	PL 40 RPP 5 15 - 8F	1108	28	63,66	62,52	71,0	52,0	-	20,5	22,0	1,50	0,310
	53F044015P	PL 44 RPP 5 15 - 8F	1108	28	70,03	68,89	75,0	54,0	-	20,5	22,0	1,50	0,400
	53F048015P	PL 48 RPP 5 15 - 8F	1210	32	76,39	75,25	83,0	64,0	-	20,5	25,0	4,50	0,460
Ghisa Cast iron Grauguß Fonte Fundición	53F056015P	PL 56 RPP 5 15 - 8F	1210	32	89,13	87,99	93,0	70,0	-	20,5	25,0	4,50	0,670
	53F064015P	PL 64 RPP 5 15 - 8F	1210	32	101,86	100,72	106,0	78,0	-	20,5	25,0	4,50	0,960
	53F072015P	PL 72 RPP 5 15 - 8F	1610	42	114,59	113,45	119,0	90,0	-	20,5	25,0	4,50	1,190
	53F080015P	PL 80 RPP 5 15 - 8F	1610	42	127,32	126,18	135,0	92,0	-	20,5	25,0	4,50	1,570
	53F090015P	PL 90 RPP 5 15 - 7W	1610	42	143,24	142,10	-	92,0	126,0	20,5	25,0	2,25	1,470
	53F112015P	PL 112 RPP 5 15 - 7W	1610	42	178,25	177,11	-	92,0	162,0	20,5	25,0	2,25	1,940
	53F136015P	PL 136 RPP 5 15 - 7W	2012	50	216,45	215,31	-	106,0	199,0	20,5	32,0	5,75	3,060
	53F150015P	PL 150 RPP 5 15 - 7W	2012	50	238,73	237,59	-	106,0	222,0	20,5	32,0	5,75	3,900



# Pulegge dentate RPP per bussola conica **POGGILOCK**<sup>®</sup>

RPP timing belt pulleys for taper bush **POGGILOCK**<sup>®</sup>

RPP Zahnriemenscheiben für Spannbuchse **POGGILOCK**<sup>®</sup>

Poulies dentées RPP pour moyeu amovible **POGGILOCK**<sup>®</sup>

Poleas dentadas RPP para casquillo cónico **POGGILOCK**<sup>®</sup>

## RPP 8 - 20 Passo - Pitch - Teilung - Pas - Paso 8 mm

Materiale Material Werkstoff Matériel Material	Codice Item number Codierung Code Código	Descrizione Designation Bezeichnung Désignation Referencia	Bussola Bush Buchse Moyeu Casquillo	Foro Bore Bohrung Alésage Agujero max mm	Dp mm	De mm	Df mm	Dm mm	Di mm	F mm	S mm	R mm	Peso Weight Gewicht Poids Peso kg
Acciaio Steel Stahl Acier Acero	53G022020P	PL 22 RPP 8 20 - 5F	1008	25	56,02	54,65	60,0	-	41,0	28,0	22,0	6,00	0,24
	53G024020P	PL 24 RPP 8 20 - 5F	1108	28	61,12	59,75	66,0	-	42,0	28,0	22,0	6,00	0,30
	53G026020P	PL 26 RPP 8 20 - 5F	1108	28	66,21	64,84	71,0	-	46,0	28,0	22,0	6,00	0,36
	53G028020P	PL 28 RPP 8 20 - 5F	1108	28	71,30	70,08	75,0	-	49,0	28,0	22,0	6,00	0,44
	53G030020P	PL 30 RPP 8 20 - 5F	1108	28	76,39	75,13	83,0	-	58,0	28,0	22,0	6,00	0,53
	53G032020P	PL 32 RPP 8 20 - 5F	1610	42	81,49	80,16	87,0	-	63,0	28,0	25,0	3,00	0,42
	53G034020P	PL 34 RPP 8 20 - 5F	1610	42	86,58	85,22	91,0	-	65,0	28,0	25,0	3,00	0,55
	53G036020P	PL 36 RPP 8 20 - 5F	1610	42	91,67	90,30	98,5	-	68,0	28,0	25,0	3,00	0,68
Ghisa Cast Iron Grauguß Fonte Fundición	53G038020P	PL 38 RPP 8 20 - 5F	1610	42	96,77	95,39	103,0	-	72,0	28,0	25,0	3,00	0,80
	53G040020P	PL 40 RPP 8 20 - 5F	1610	42	101,86	100,49	106,0	-	76,0	28,0	25,0	3,00	1,00
	53G044020P	PL 44 RPP 8 20 - 8F	2012	50	112,05	110,67	119,0	93,0	-	28,0	32,0	4,00	1,20
	53G048020P	PL 48 RPP 8 20 - 8F	2012	50	122,23	120,86	127,0	96,0	-	28,0	32,0	4,00	1,60
	53G056020P	PL 56 RPP 8 20 - 8F	2012	50	142,60	141,23	148,0	110,0	-	28,0	32,0	4,00	2,40
	53G064020P	PL 64 RPP 8 20 - 8WF	2012	50	162,97	161,60	168,0	110,0	137,0	28,0	32,0	4,00	2,70
	53G072020P	PL 72 RPP 8 20 - 8WF	2012	50	183,35	181,97	192,0	110,0	158,0	28,0	32,0	4,00	3,30
	53G080020P	PL 80 RPP 8 20 - 8W	2012	50	203,72	202,35	-	110,0	180,0	28,0	32,0	4,00	3,50
	53G090020P	PL 90 RPP 8 20 - 8A	2012	50	229,18	227,81	-	110,0	204,0	28,0	32,0	4,00	3,65

## RPP 8 - 30 Passo - Pitch - Teilung - Pas - Paso 8 mm

Materiale Material Werkstoff Matériel Material	Codice Item number Codierung Code Código	Descrizione Designation Bezeichnung Désignation Referencia	Bussola Bush Buchse Moyeu Casquillo	Foro Bore Bohrung Alésage Agujero max mm	Dp mm	De mm	Df mm	Dm mm	Di mm	F mm	S mm	R mm	Peso Weight Gewicht Poids Peso kg
Acciaio Steel Stahl Acier Acero	53G022030P	PL 22 RPP 8 30 - 5F	1008	25	56,02	54,65	60,0	-	41,0	38,0	22,0	16,00	0,30
	53G024030P	PL 24 RPP 8 30 - 5F	1108	28	61,12	59,75	66,0	-	42,0	38,0	22,0	16,00	0,38
	53G026030P	PL 26 RPP 8 30 - 5F	1108	28	66,21	64,84	71,0	-	46,0	38,0	22,0	16,00	0,45
	53G028030P	PL 28 RPP 8 30 - 5F	1210	32	71,30	70,08	75,0	-	49,0	38,0	25,0	13,00	0,55
	53G030030P	PL 30 RPP 8 30 - 3F	1615	42	76,39	75,13	83,0	-	-	38,0	38,0	-	0,49
	53G032030P	PL 32 RPP 8 30 - 3F	1615	42	81,49	80,16	87,0	-	-	38,0	38,0	-	0,59
	53G034030P	PL 34 RPP 8 30 - 3F	1615	42	86,58	85,22	91,0	-	-	38,0	38,0	-	0,77
	53G036030P	PL 36 RPP 8 30 - 3F	1615	42	91,67	90,30	98,5	-	-	38,0	38,0	-	0,96
Ghisa Cast Iron Grauguß Fonte Fundición	53G038030P	PL 38 RPP 8 30 - 3F	1615	42	96,77	95,39	103,0	-	-	38,0	38,0	-	1,15
	53G040030P	PL 40 RPP 8 30 - 3F	1615	42	101,86	100,49	106,0	-	-	38,0	38,0	-	1,34
	53G044030P	PL 44 RPP 8 30 - 4F	2012	50	112,05	110,67	119,0	-	91,0	38,0	32,0	3,00	1,33
	53G048030P	PL 48 RPP 8 30 - 4F	2012	50	122,23	120,86	127,0	-	95,0	38,0	32,0	3,00	1,78
	53G056030P	PL 56 RPP 8 30 - 4F	2012	50	142,60	141,23	148,0	-	117,0	38,0	32,0	3,00	2,75
	53G064030P	PL 64 RPP 8 30 - 8F	2517	60	162,97	161,60	168,0	125,0	-	38,0	45,0	7,00	4,20
	53G072030P	PL 72 RPP 8 30 - 8WF	2517	60	183,35	181,97	192,0	122,0	158,0	38,0	45,0	7,00	4,30
	53G080030P	PL 80 RPP 8 30 - 8W	2517	60	203,72	202,35	-	125,0	180,0	38,0	45,0	7,00	4,60
	53G090030P	PL 90 RPP 8 30 - 8A	2517	60	229,18	227,81	-	125,0	204,0	38,0	45,0	7,00	5,00
	53G112030P	PL 112 RPP 8 30 - 8A	2517	60	285,21	283,83	-	125,0	260,0	38,0	45,0	7,00	6,20
	53G144030P	PL 144 RPP 8 30 - 8A	2517	60	366,69	365,32	-	125,0	341,0	38,0	45,0	7,00	9,00



## Pulegge dentate RPP per bussola conica **POGGILOCK**<sup>®</sup>

RPP timing belt pulleys for taper bush **POGGILOCK**<sup>®</sup>

RPP Zahnriemenscheiben für Spannbuchse **POGGILOCK**<sup>®</sup>

Poulies dentées RPP pour moyeu amovible **POGGILOCK**<sup>®</sup>

Poleas dentadas RPP para casquillo cónico **POGGILOCK**<sup>®</sup>

### RPP 8 - 50 Passo - Pitch - Teilung - Pas - Paso 8 mm

Materiale Material Werkstoff Matériel Material	Codice Item number Codierung Code Código	Descrizione Designation Bezeichnung Désignation Referencia	Bussola Bush Buchse Moyeu Casquillo	Foro Bore Bohrung Alésage Agujero max mm	Dp mm	De mm	Df mm	Dm mm	Di mm	F mm	S mm	R mm	Peso Weight Gewicht Poids Peso kg
Acciaio Steel Stahl Acier Acero	53G028050P	PL 28 RPP 8 50 - 5F	1210	32	71,30	70,08	75,0	-	49,0	60,0	25,0	35,00	0,78
	53G030050P	PL 30 RPP 8 50 - 5F	1615	42	76,39	75,13	83,0	-	58,0	60,0	38,0	22,00	0,70
	53G032050P	PL 32 RPP 8 50 - 5F	1615	42	81,49	80,16	87,0	-	62,0	60,0	38,0	22,00	0,82
	53G034050P	PL 34 RPP 8 50 - 5F	1615	42	86,58	85,22	91,0	-	65,0	60,0	38,0	22,00	1,06
	53G036050P	PL 36 RPP 8 50 - 5F	1615	42	91,67	90,30	98,5	-	68,0	60,0	38,0	22,00	1,30
Ghisa Cast iron Grauguß Fonte Fundición	53G038050P	PL 38 RPP 8 50 - 5F	1615	42	96,77	95,39	103,0	-	72,0	60,0	38,0	22,00	1,60
	53G040050P	PL 40 RPP 8 50 - 4F	2012	50	101,86	100,49	106,0	-	82,0	60,0	32,0	14,00	1,71
	53G044050P	PL 44 RPP 8 50 - 4F	2012	50	112,05	110,67	119,0	-	91,0	60,0	32,0	14,00	1,78
	53G048050P	PL 48 RPP 8 50 - 4F	2012	50	122,23	120,86	127,0	-	95,0	60,0	32,0	14,00	2,30
	53G056050P	PL 56 RPP 8 50 - 4F	2517	60	142,60	141,23	148,0	-	116,0	60,0	45,0	7,50	3,40
	53G064050P	PL 64 RPP 8 50 - 4F	2517	60	162,97	161,60	168,0	-	137,0	60,0	45,0	7,50	5,00
	53G072050P	PL 72 RPP 8 50 - 4F	2517	60	183,35	181,97	192,0	-	158,0	60,0	45,0	7,50	6,70
	53G080050P	PL 80 RPP 8 50 - 4	3020	75	203,72	202,35	-	-	180,0	60,0	51,0	4,50	8,80
	53G090050P	PL 90 RPP 8 50 - 9W	3020	75	229,18	227,81	-	170,0	204,0	60,0	51,0	4,50	8,80
	53G112050P	PL 112 RPP 8 50 - 9W	3020	75	285,21	283,83	-	170,0	260,0	60,0	51,0	4,50	12,00
	53G144050P	PL 144 RPP 8 50 - 9A	3020	75	366,69	365,32	-	170,0	341,0	60,0	51,0	4,50	15,20
	53G168050P	PL 168 RPP 8 50 - 7A	3525	90	427,81	426,44	-	190,0	402,0	60,0	65,0	2,50	16,40
	53G192050P	PL 192 RPP 8 50 - 7A	3525	90	488,92	487,55	-	190,0	460,0	60,0	65,0	2,50	21,80

### RPP 8 - 85 Passo - Pitch - Teilung - Pas - Paso 8 mm

Materiale Material Werkstoff Matériel Material	Codice Item number Codierung Code Código	Descrizione Designation Bezeichnung Désignation Referencia	Bussola Bush Buchse Moyeu Casquillo	Foro Bore Bohrung Alésage Agujero max mm	Dp mm	De mm	Df mm	Dm mm	Di mm	F mm	S mm	R mm	Peso Weight Gewicht Poids Peso kg
Acciaio Steel Stahl Acier Acero	53G034085P	PL 34 RPP 8 85 - 4F	1615	42	86,58	85,22	91,0	-	68,0	95,0	38,0	28,50	1,43
Ghisa Cast iron Grauguß Fonte Fundición	53G036085P	PL 36 RPP 8 85 - 4F	1615	42	91,67	90,30	98,5	-	68,0	95,0	38,0	28,50	1,87
	53G038085P	PL 38 RPP 8 85 - 4F	1615	42	96,77	95,39	103,0	-	72,0	95,0	38,0	28,50	2,20
	53G040085P	PL 40 RPP 8 85 - 4F	2012	50	101,86	100,49	106,0	-	82,0	95,0	32,0	31,50	1,80
	53G044085P	PL 44 RPP 8 85 - 4F	2012	50	112,05	110,67	119,0	-	91,0	95,0	32,0	31,50	2,30
	53G048085P	PL 48 RPP 8 85 - 4F	2517	60	122,23	120,86	127,0	-	100,0	95,0	45,0	25,00	2,66
	53G056085P	PL 56 RPP 8 85 - 4F	2517	60	142,60	141,23	148,0	-	117,0	95,0	45,0	25,00	4,45
	53G064085P	PL 64 RPP 8 85 - 4F	2517	60	162,97	161,60	168,0	-	137,0	95,0	45,0	25,00	6,20
	53G072085P	PL 72 RPP 8 85 - 4F	3020	75	183,35	181,97	192,0	-	158,0	95,0	51,0	22,00	8,00
	53G080085P	PL 80 RPP 8 85 - 4	3020	75	203,72	202,35	-	-	180,0	95,0	51,0	22,00	10,00
	53G090085P	PL 90 RPP 8 85 - 9W	3020	75	229,18	227,81	-	170,0	204,0	95,0	51,0	22,00	10,80
	53G112085P	PL 112 RPP 8 85 - 9W	3020	75	285,21	283,83	-	170,0	260,0	95,0	51,0	22,00	15,00
	53G144085P	PL 144 RPP 8 85 - 9A	3525	90	366,69	365,32	-	190,0	341,0	95,0	65,0	15,00	22,00
	53G168085P	PL 168 RPP 8 85 - 9A	3525	90	427,81	426,44	-	190,0	402,0	95,0	65,0	15,00	23,00
	53G192085P	PL 192 RPP 8 85 - 9A	3525	90	488,92	487,55	-	190,0	460,0	95,0	65,0	15,00	28,50



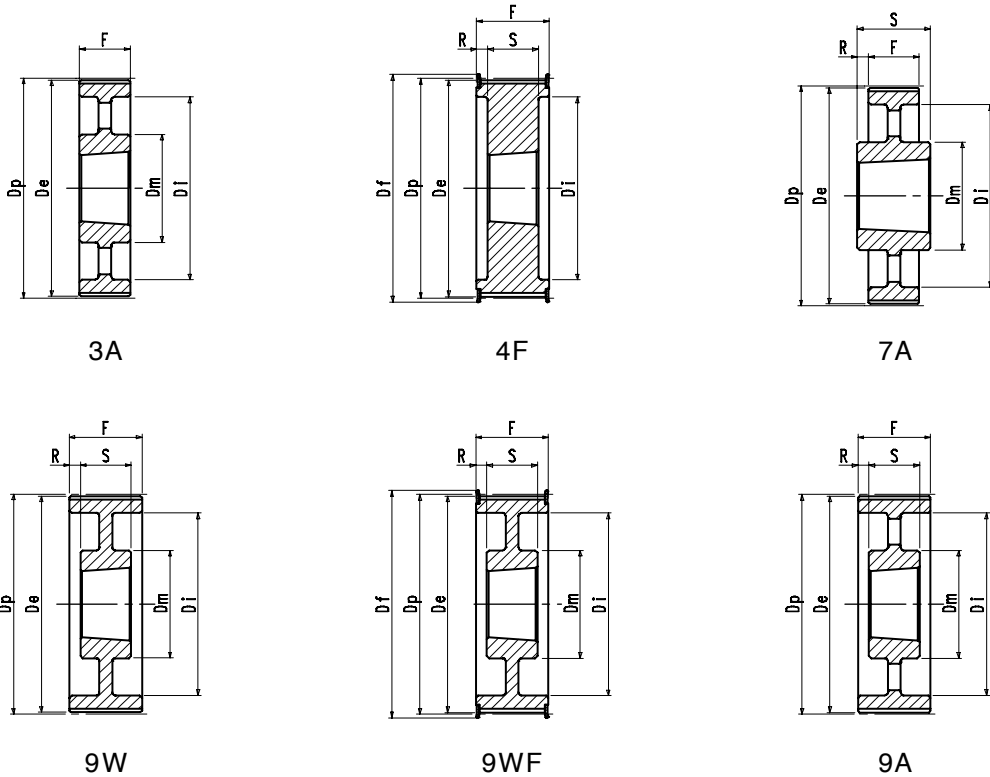
# Pulegge dentate RPP per bussola conica **POGGILOCK**<sup>®</sup>

RPP timing belt pulleys for taper bush **POGGILOCK**<sup>®</sup>

RPP Zahnriemenscheiben für Spannbuchse **POGGILOCK**<sup>®</sup>

Poulies dentées RPP pour moyeu amovible **POGGILOCK**<sup>®</sup>

Poleas dentadas RPP para casquillo cónico **POGGILOCK**<sup>®</sup>



## RPP 14 - 40

Passo - Pitch - Teilung - Pas - Paso 14 mm

Materiale Material Werkstoff Matériel Material	Codice Item number Codierung Code Código	Descrizione Designation Bezeichnung Désignation Referencia	Bussola Bush Buchse Moyeu Casquillo	Foro Bore Bohrung Alésage Agujero	Dp	De	Df	Dm	Di	F	S	R	Peso
													Weight Gewicht Poids Peso
				max mm	mm	mm	mm	mm	mm	mm	mm	mm	kg
Ghisa Cast iron Grauguß Fonte Fundición	53I028040P	PL 28 RPP14 40 - 4F	2012	50	124,78	122,12	127,0	-	90,0	54,0	32,0	11,00	2,07
	53I029040P	PL 29 RPP14 40 - 4F	2012	50	129,23	126,57	138,0	-	100,0	54,0	32,0	11,00	2,38
	53I030040P	PL 30 RPP14 40 - 4F	2012	50	133,69	130,99	138,0	-	100,0	54,0	32,0	11,00	2,65
	53I032040P	PL 32 RPP14 40 - 4F	2012	50	142,60	139,88	154,0	-	104,0	54,0	32,0	11,00	3,40
	53I034040P	PL 34 RPP14 40 - 4F	2517	60	151,52	148,79	160,0	-	110,0	54,0	45,0	4,50	3,87
	53I036040P	PL 36 RPP14 40 - 4F	2517	60	160,43	157,68	168,0	-	120,0	54,0	45,0	4,50	4,80
	53I038040P	PL 38 RPP14 40 - 4F	2517	60	169,34	166,60	183,0	-	130,0	54,0	45,0	4,50	5,40
	53I040040P	PL 40 RPP14 40 - 4F	2517	60	178,25	175,49	188,0	-	138,0	54,0	45,0	4,50	6,00
	53I044040P	PL 44 RPP14 40 - 4F	3020	75	196,08	193,28	211,0	-	155,0	54,0	51,0	1,50	7,80
	53I048040P	PL 48 RPP14 40 - 4F	3020	75	213,90	211,11	226,0	-	170,0	54,0	51,0	1,50	9,40
	53I056040P	PL 56 RPP14 40 - 9WF	3020	75	249,55	246,76	256,0	170,0	208,0	54,0	51,0	1,50	10,80
	53I064040P	PL 64 RPP14 40 - 9WF	3020	75	285,21	282,41	296,0	170,0	239,0	54,0	51,0	1,50	13,40
	53I072040P	PL 72 RPP14 40 - 9W	3020	75	320,86	318,06	-	170,0	280,0	54,0	51,0	1,50	15,20
	53I080040P	PL 80 RPP14 40 - 9A	3020	75	356,51	353,71	-	170,0	315,0	54,0	51,0	1,50	16,00
	53I090040P	PL 90 RPP14 40 - 9A	3020	75	401,07	398,28	-	170,0	358,0	54,0	51,0	1,50	17,80
	53I112040P	PL 112 RPP14 40 - 9A	3020	75	499,11	496,32	-	170,0	457,0	54,0	51,0	1,50	25,60
	53I144040P	PL 144 RPP14 40 - 9A	3020	75	641,71	638,92	-	170,0	600,0	54,0	51,0	1,50	32,00
	53I168040P	PL 168 RPP14 40 - 9A	3020	75	748,66	745,87	-	170,0	706,0	54,0	51,0	1,50	44,00
	53I192040P	PL 192 RPP14 40 - 9A	3020	75	855,62	852,82	-	170,0	813,0	54,0	51,0	1,50	49,00
	53I216040P	PL 216 RPP14 40 - 9A *	3020	75	962,57	959,76	-	170,0	920,0	54,0	51,0	1,50	55,00
53I264040P	PL 264 RPP14 40 - 7A *	3535	90	1176,47	1173,68	-	190,0	1120,0	54,0	89,0	17,50	120,15	

\* A richiesta - On request - Auf Anfrage - Sur demande - Bajo consulta.



# Pulegge dentate RPP per bussola conica **POGGILOCK**<sup>®</sup>

RPP timing belt pulleys for taper bush **POGGILOCK**<sup>®</sup>  
 RPP Zahnriemenscheiben für Spannbuchse **POGGILOCK**<sup>®</sup>  
 Poulies dentées RPP pour moyeu amovible **POGGILOCK**<sup>®</sup>  
 Poleas dentadas RPP para casquillo cónico **POGGILOCK**<sup>®</sup>

## RPP 14 - 55 Passo - Pitch - Teilung - Pas - Paso 14 mm

Materiale Material Werkstoff Matériel Material	Codice Item number Codierung Code Código	Descrizione Designation Bezeichnung Désignation Referencia	Bussola Bush Buchse Moyeu Casquillo	Foro Bore Bohrung Alésage Agujero max mm	Dp mm	De mm	Df mm	Dm mm	Di mm	F mm	S mm	R mm	Peso Weight Gewicht Poids Peso kg
Ghisa Cast iron Grauguß Fonte Fundición	53I028055P	PL 28 RPP14 55 - 4F	2012	50	124,78	122,12	127,0	-	90,0	70,0	32,0	19,00	2,20
	53I029055P	PL 29 RPP14 55 - 4F	2012	50	129,23	126,57	138,0	-	100,0	70,0	32,0	19,00	2,74
	53I030055P	PL 30 RPP14 55 - 4F	2517	60	133,69	130,99	138,0	-	100,0	70,0	45,0	12,50	2,70
	53I032055P	PL 32 RPP14 55 - 4F	2517	60	142,60	139,88	154,0	-	108,0	70,0	45,0	12,50	3,66
	53I034055P	PL 34 RPP14 55 - 4F	2517	60	151,52	148,79	160,0	-	110,0	70,0	45,0	12,50	4,55
	53I036055P	PL 36 RPP14 55 - 4F	2517	60	160,43	157,68	168,0	-	120,0	70,0	45,0	12,50	5,20
	53I038055P	PL 38 RPP14 55 - 4F	2517	60	169,34	166,60	183,0	-	130,0	70,0	45,0	12,50	6,20
	53I040055P	PL 40 RPP14 55 - 4F	2517	60	178,25	175,49	188,0	-	138,0	70,0	45,0	12,50	7,00
	53I044055P	PL 44 RPP14 55 - 4F	3020	75	196,08	193,28	211,0	-	155,0	70,0	51,0	9,50	8,60
	53I048055P	PL 48 RPP14 55 - 4F	3020	75	213,90	211,11	226,0	-	170,0	70,0	51,0	9,50	10,40
	53I056055P	PL 56 RPP14 55 - 9WF	3020	75	249,55	246,76	256,0	170,0	208,0	70,0	51,0	9,50	12,40
	53I064055P	PL 64 RPP14 55 - 9WF	3020	75	285,21	282,41	296,0	170,0	239,0	70,0	51,0	9,50	14,50
	53I072055P	PL 72 RPP14 55 - 9W	3020	75	320,86	318,06	-	170,0	280,0	70,0	51,0	9,50	16,20
	53I080055P	PL 80 RPP14 55 - 9A	3020	75	356,51	353,71	-	170,0	315,0	70,0	51,0	9,50	17,50
	53I090055P	PL 90 RPP14 55 - 9A	3020	75	401,07	398,28	-	170,0	358,0	70,0	51,0	9,50	20,10
	53I112055P	PL 112 RPP14 55 - 9A	3020	75	499,11	496,32	-	170,0	457,0	70,0	51,0	9,50	28,40
	53I144055P	PL 144 RPP14 55 - 9A	3020	75	641,71	638,92	-	170,0	600,0	70,0	51,0	9,50	36,20
	53I168055P	PL 168 RPP14 55 - 9A	3020	75	748,66	745,87	-	170,0	706,0	70,0	51,0	9,50	49,00
	53I192055P	PL 192 RPP14 55 - 9A	3020	75	855,62	852,82	-	170,0	813,0	70,0	51,0	9,50	53,00
	53I216055P	PL 216 RPP14 55 - 7A *	3535	90	962,57	959,76	-	190,0	920,0	70,0	89,0	9,50	65,80
53I264055P	PL 264 RPP14 55 - 7A *	3535	90	1176,47	1173,68	-	190,0	1120,0	70,0	89,0	9,50	105,00	

## RPP 14 - 85 Passo - Pitch - Teilung - Pas - Paso 14 mm

Materiale Material Werkstoff Matériel Material	Codice Item number Codierung Code Código	Descrizione Designation Bezeichnung Désignation Referencia	Bussola Bush Buchse Moyeu Casquillo	Foro Bore Bohrung Alésage Agujero max mm	Dp mm	De mm	Df mm	Dm mm	Di mm	F mm	S mm	R mm	Peso Weight Gewicht Poids Peso kg
Ghisa Cast iron Grauguß Fonte Fundición	53I028085P	PL 28 RPP14 85 - 4F	2517	60	124,78	122,12	127,0	-	99,0	102,0	45,0	28,50	2,70
	53I029085P	PL 29 RPP14 85 - 4F	2517	60	129,23	126,57	138,0	-	100,0	102,0	45,0	28,50	3,40
	53I030085P	PL 30 RPP14 85 - 4F	2517	60	133,69	130,99	138,0	-	100,0	102,0	45,0	28,50	3,75
	53I032085P	PL 32 RPP14 85 - 4F	2517	60	142,60	139,88	154,0	-	108,0	102,0	45,0	28,50	4,80
	53I034085P	PL 34 RPP14 85 - 4F	2517	60	151,52	148,79	160,0	-	110,0	102,0	45,0	28,50	6,00
	53I036085P	PL 36 RPP14 85 - 4F	3020	75	160,43	157,68	168,0	-	125,0	102,0	51,0	25,50	5,80
	53I038085P	PL 38 RPP14 85 - 4F	3020	75	169,34	166,60	183,0	-	130,0	102,0	51,0	25,50	6,80
	53I040085P	PL 40 RPP14 85 - 4F	3020	75	178,25	175,49	188,0	-	138,0	102,0	51,0	25,50	8,00
	53I044085P	PL 44 RPP14 85 - 4F	3030	75	196,08	193,28	211,0	-	155,0	102,0	76,0	13,00	11,80
	53I048085P	PL 48 RPP14 85 - 4F	3030	75	213,90	211,11	226,0	-	170,0	102,0	76,0	13,00	15,10
	53I056085P	PL 56 RPP14 85 - 4F	3525	90	249,55	246,76	256,0	-	210,0	102,0	65,0	18,50	22,50
	53I064085P	PL 64 RPP14 85 - 9WF	3525	90	285,21	282,41	296,0	190,0	239,0	102,0	65,0	18,50	26,00
	53I072085P	PL 72 RPP14 85 - 9W	3525	90	320,86	318,06	-	190,0	280,0	102,0	65,0	18,50	25,50
	53I080085P	PL 80 RPP14 85 - 9A	3525	90	356,51	353,71	-	190,0	315,0	102,0	65,0	18,50	29,20
	53I090085P	PL 90 RPP14 85 - 9A	3525	90	401,07	398,28	-	190,0	358,0	102,0	65,0	18,50	30,80
	53I112085P	PL 112 RPP14 85 - 9A	3525	90	499,11	496,32	-	190,0	457,0	102,0	65,0	18,50	39,50
	53I144085P	PL 144 RPP14 85 - 9A	3525	90	641,71	638,92	-	190,0	600,0	102,0	65,0	18,50	51,00
	53I168085P	PL 168 RPP14 85 - 9A	3525	90	748,66	745,87	-	190,0	706,0	102,0	65,0	18,50	62,00
	53I192085P	PL 192 RPP14 85 - 3A	4040	100	855,62	852,82	-	230,0	813,0	102,0	102,0	-	86,00
	53I216085P	PL 216 RPP14 85 - 3A *	4040	100	962,57	959,76	-	230,0	920,0	102,0	102,0	-	91,50
53I264085P	PL 264 RPP14 85 - 3A *	4040	100	1176,47	1173,68	-	230,0	1120,0	102,0	102,0	-	166,00	

\* A richiesta - On request - Auf Anfrage - Sur demande - Bajo consulta.





## Pulegge dentate RPP per bussola conica **POGGILOCK**<sup>®</sup>

RPP timing belt pulleys for taper bush **POGGILOCK**<sup>®</sup>

RPP Zahnriemenscheiben für Spannbuchse **POGGILOCK**<sup>®</sup>

Poulies dentées RPP pour moyeu amovible **POGGILOCK**<sup>®</sup>

Poleas dentadas RPP para casquillo cónico **POGGILOCK**<sup>®</sup>

### RPP 14 - 115 Passo - Pitch - Teilung - Pas - Paso 14 mm

Materiale Material Werkstoff Matériel Material	Codice Item number Codierung Code Código	Descrizione Designation Bezeichnung Désignation Referencia	Bussola Bush Buchse Moyeu Casquillo	Foro Bore Bohrung Alésage Agujero max mm	Dp mm	De mm	Df mm	Dm mm	Di mm	F mm	S mm	R mm	Peso Weight Gewicht Poids Peso kg
Ghisa Cast iron Grauguß Fonte Fundición	53I028115P	PL 28 RPP14 115 - 4F	2517	60	124,78	122,12	127,0	-	99,0	133,0	45,0	44,00	3,77
	53I029115P	PL 29 RPP14 115 - 4F	2517	60	129,23	126,57	138,0	-	100,0	133,0	45,0	44,00	4,00
	53I030115P	PL 30 RPP14 115 - 4F	2517	60	133,69	130,99	138,0	-	100,0	133,0	45,0	44,00	5,00
	53I032115P	PL 32 RPP14 115 - 4F	2517	60	142,60	139,88	154,0	-	108,0	133,0	45,0	44,00	6,80
	53I034115P	PL 34 RPP14 115 - 4F	2517	60	151,52	148,79	160,0	-	115,0	133,0	45,0	44,00	6,80
	53I036115P	PL 36 RPP14 115 - 4F	3020	75	160,43	157,68	168,0	-	125,0	133,0	51,0	41,00	7,00
	53I038115P	PL 38 RPP14 115 - 4F	3020	75	169,34	166,60	183,0	-	130,0	133,0	51,0	41,00	8,40
	53I040115P	PL 40 RPP14 115 - 4F	3020	75	178,25	175,49	188,0	-	140,0	133,0	51,0	41,00	9,20
	53I044115P	PL 44 RPP14 115 - 4F	3030	75	196,08	193,28	211,0	-	155,0	133,0	76,0	28,50	14,00
	53I048115P	PL 48 RPP14 115 - 4F	3030	75	213,90	211,11	226,0	-	170,0	133,0	76,0	28,50	17,10
	53I056115P	PL 56 RPP14 115 - 4F	3535	90	249,55	246,76	256,0	-	210,0	133,0	89,0	22,00	24,80
	53I064115P	PL 64 RPP14 115 - 9WF	3535	90	285,21	282,41	296,0	190,0	239,0	133,0	89,0	22,00	28,20
	53I072115P	PL 72 RPP14 115 - 9W	3535	90	320,86	318,06	-	190,0	280,0	133,0	89,0	22,00	29,00
	53I080115P	PL 80 RPP14 115 - 9A	3535	90	356,51	353,71	-	190,0	315,0	133,0	89,0	22,00	32,00
	53I090115P	PL 90 RPP14 115 - 9A	3535	90	401,07	398,28	-	190,0	358,0	133,0	89,0	22,00	36,50
	53I112115P	PL 112 RPP14 115 - 9A	3535	90	499,11	496,32	-	190,0	456,0	133,0	89,0	22,00	46,00
	53I144115P	PL 144 RPP14 115 - 9A	4040	100	641,71	638,92	-	230,0	600,0	133,0	102,0	15,50	68,00
	53I168115P	PL 168 RPP14 115 - 9A	4040	100	748,66	745,87	-	230,0	706,0	133,0	102,0	15,50	82,60
	53I192115P	PL 192 RPP14 115 - 9A	4040	100	855,62	852,82	-	230,0	813,0	133,0	102,0	15,50	96,00
	53I216115P	PL 216 RPP14 115 - 9A *	4040	100	962,57	959,76	-	230,0	920,0	133,0	102,0	15,50	107,00
53I264115P	PL 264 RPP14 115 - 9A *	4040	100	1176,47	1173,68	-	230,0	1120,0	133,0	102,0	15,50	204,00	

### RPP 14 - 170 Passo - Pitch - Teilung - Pas - Paso 14 mm

Materiale Material Werkstoff Matériel Material	Codice Item number Codierung Code Código	Descrizione Designation Bezeichnung Désignation Referencia	Bussola Bush Buchse Moyeu Casquillo	Foro Bore Bohrung Alésage Agujero max mm	Dp mm	De mm	Df mm	Dm mm	Di mm	F mm	S mm	R mm	Peso Weight Gewicht Poids Peso kg
Ghisa Cast iron Grauguß Fonte Fundición	53I038170P	PL 38 RPP14 170 - 4F	3030	75	169,34	166,60	183,0	-	130,0	187,0	76,0	55,50	11,70
	53I040170P	PL 40 RPP14 170 - 4F	3030	75	178,25	175,49	188,0	-	140,0	187,0	76,0	55,50	13,00
	53I044170P	PL 44 RPP14 170 - 4F	3535	90	196,08	193,28	211,0	-	161,0	187,0	89,0	49,00	15,00
	53I048170P	PL 48 RPP14 170 - 4F	3535	90	213,90	211,11	226,0	-	175,0	187,0	89,0	49,00	19,00
	53I056170P	PL 56 RPP14 170 - 4F	3535	90	249,55	246,76	256,0	-	210,0	187,0	89,0	49,00	28,50
	53I064170P	PL 64 RPP14 170 - 4F	4040	100	285,21	282,41	296,0	-	239,0	187,0	102,0	42,50	41,00
	53I072170P	PL 72 RPP14 170 - 9W	4040	100	320,86	318,06	-	230,0	280,0	187,0	102,0	42,50	46,90
	53I080170P	PL 80 RPP14 170 - 9W	4040	100	356,51	353,71	-	230,0	315,0	187,0	102,0	42,50	48,00
	53I090170P	PL 90 RPP14 170 - 9A	4040	100	401,07	398,28	-	230,0	358,0	187,0	102,0	42,50	52,50
	53I112170P	PL 112 RPP14 170 - 9A	5050	125	499,11	496,32	-	265,0	457,0	187,0	127,0	30,00	74,50
	53I144170P	PL 144 RPP14 170 - 9A	5050	125	641,71	638,92	-	265,0	600,0	187,0	127,0	30,00	91,00
	53I168170P	PL 168 RPP14 170 - 9A	5050	125	748,66	745,87	-	265,0	706,0	187,0	127,0	30,00	116,00
	53I192170P	PL 192 RPP14 170 - 9A	5050	125	855,62	852,82	-	265,0	813,0	187,0	127,0	30,00	134,00
	53I216170P	PL 216 RPP14 170 - 9A *	5050	125	962,57	959,76	-	265,0	920,0	187,0	127,0	30,00	146,50
	53I264170P	PL 264 RPP14 170 - 9A *	5050	125	1176,47	1173,68	-	265,0	1120,0	187,0	127,0	30,00	-

\* A richiesta - On request - Auf Anfrage - Sur demande - Bajo consulta.