



Pulegge dentate RPP monoblocco

Monobloc RPP timing pulleys
Monoblock RPP Zahnriemenscheiben
Poulies dentées RPP moyeu plein
Poleas dentadas RPP macizas



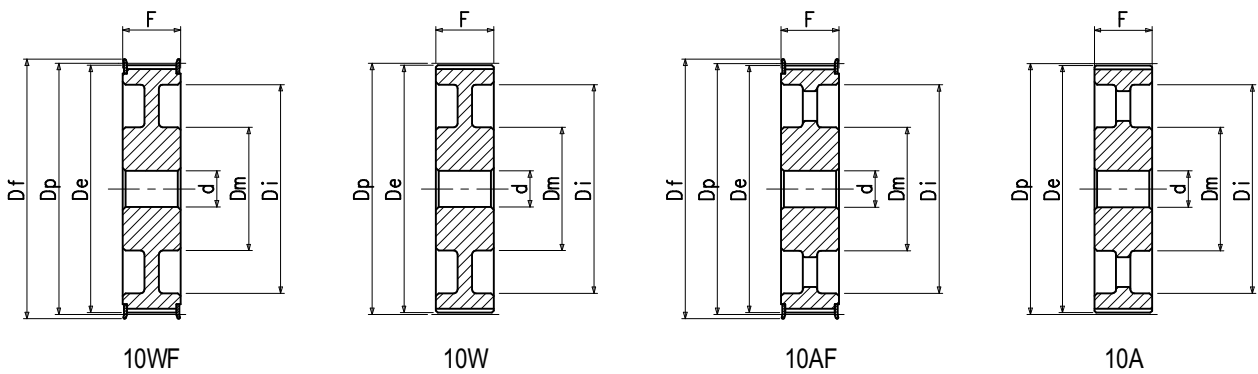
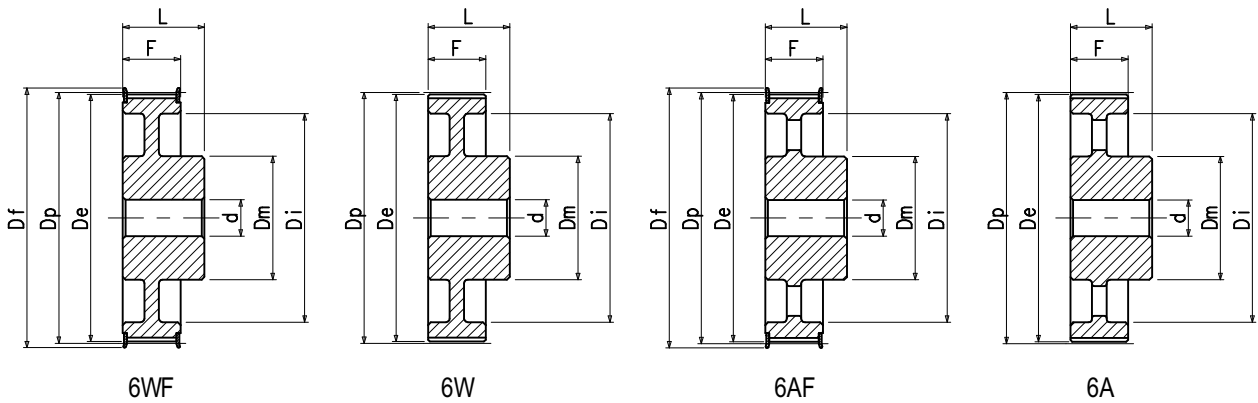
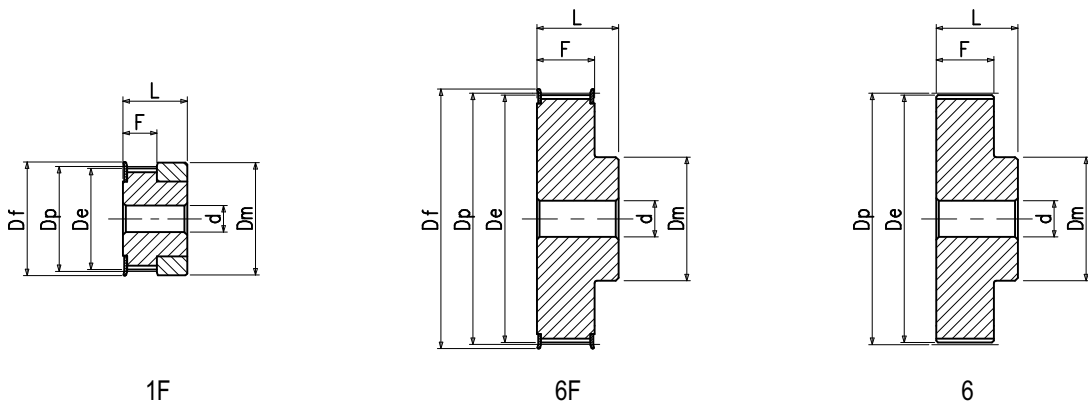


Pulegge dentate RPP monoblocco

Monobloc RPP timing pulleys
Monoblock RPP Zahnriemenscheiben
Poulies dentées RPP moyeu plein
Poleas dentadas RPP macizas

Forme costruttive

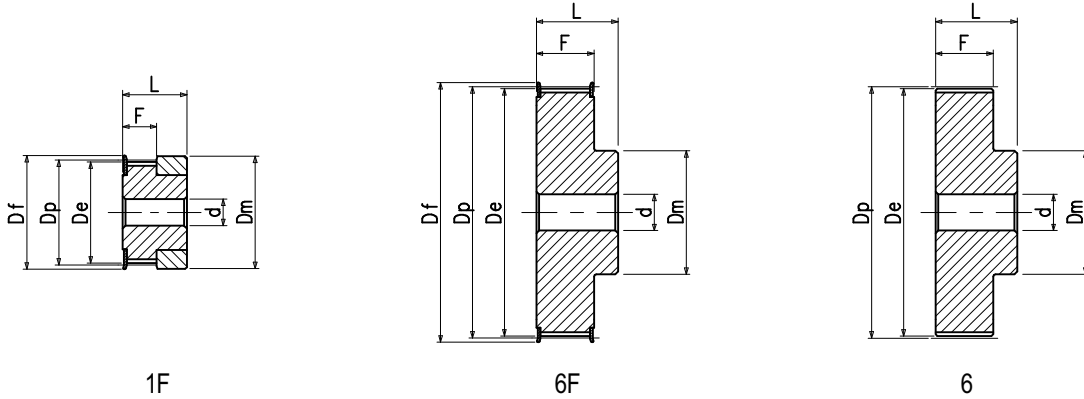
Design features - Konstruktionsmerkmale - Caractéristiques - Características





Pulegge dentate RPP monoblocco

Monobloc RPP timing pulleys
 Monoblock RPP Zahnriemenscheiben
 Poulies dentées RPP moyeu plein
 Poleas dentadas RPP macizas



RPP 3 - 06 Passo - Pitch - Teilung - Pas - Paso 3 mm

Materiale Material Werkstoff Matériel Material	Codice Item number Codierung Code Código	Descrizione Designation Bezeichnung Désignation Referencia	N° denti N. of teeth Anzahl der Zähne Nombre de dents Cantidad de dientes	Dp mm	De mm	Df mm	Dm mm	F mm	L mm	d mm	Peso Weight Gewicht Poids Peso kg
Alluminio Aluminium Aluminium Aluminium Aluminio	51D010006	10 RPP 3 6 - 1F *	10	9,55	8,79	13,0	13,0	8,5	14,5	-	
	51D012006	12 RPP 3 6 - 1F *	12	11,46	10,70	15,0	15,0	8,5	14,5	-	
	51D014006	14 RPP 3 6 - 1F *	14	13,37	12,61	16,0	16,0	8,5	14,5	-	
	51D015006	15 RPP 3 6 - 1F *	15	14,32	13,56	17,5	17,5	8,5	14,5	-	
	51D016006	16 RPP 3 6 - 6F *	16	15,28	14,52	18,0	10,0	9,8	17,5	4	
	51D018006	18 RPP 3 6 - 6F *	18	17,19	16,43	19,5	11,0	9,8	17,5	6	
	51D020006	20 RPP 3 6 - 6F *	20	19,10	18,34	23,0	13,0	9,8	17,5	6	
	51D021006	21 RPP 3 6 - 6F *	21	20,05	19,29	25,0	14,0	9,8	17,5	6	
	51D022006	22 RPP 3 6 - 6F *	22	21,01	20,25	25,0	14,0	9,8	17,5	6	
	51D024006	24 RPP 3 6 - 6F *	24	22,92	22,16	25,0	14,0	9,8	17,5	6	
	51D026006	26 RPP 3 6 - 6F *	26	24,83	24,07	28,0	16,0	9,8	17,5	6	
	51D028006	28 RPP 3 6 - 6F *	28	26,74	25,98	32,0	18,0	9,8	17,5	6	
	51D030006	30 RPP 3 6 - 6F *	30	28,65	27,89	32,0	20,0	9,8	17,5	6	
	51D032006	32 RPP 3 6 - 6F *	32	30,56	29,80	36,0	22,0	9,8	17,5	6	
	51D036006	36 RPP 3 6 - 6F *	36	34,38	33,62	38,0	26,0	10,3	18,0	6	
	51D040006	40 RPP 3 6 - 6F *	40	38,20	37,44	42,0	28,0	10,3	18,0	6	
	51D044006	44 RPP 3 6 - 6F *	44	42,02	41,26	48,0	33,0	10,3	18,0	6	
	51D048006	48 RPP 3 6 - 6 *	48	45,84	45,08	-	33,0	10,3	18,6	8	
	51D060006	60 RPP 3 6 - 6 *	60	57,30	56,54	-	33,0	10,3	18,6	8	
51D072006	72 RPP 3 6 - 6 *	72	68,75	67,99	-	33,0	10,3	18,6	8		

* A richiesta - On request - Auf Anfrage - Sur demande - Bajo consulta.



Pulegge dentate RPP monoblocco

Monobloc RPP timing pulleys
 Monoblock RPP Zahnriemenscheiben
 Poulies dentées RPP moyeu plein
 Poleas dentadas RPP macizas

RPP 3 - 09 Passo - Pitch - Teilung - Pas - Paso 3 mm

Materiale Material Werkstoff Matériel Material	Codice Item number Codierung Code Código	Descrizione Designation Bezeichnung Désignation Referencia	N° denti N. of teeth Anzahl der Zähne Nombre de dents Cantidad de dientes	Dp mm	De mm	Df mm	Dm mm	F mm	L mm	d mm	Peso Weight Gewicht Poids Peso kg
Alluminio Aluminium Aluminium Aluminium Aluminio	51D010009	10 RPP 3 9 - 1F	10	9,55	8,79	13,0	13,0	11,5	17,5	-	0,004
	51D012009	12 RPP 3 9 - 1F	12	11,46	10,70	15,0	15,0	11,5	17,5	-	0,006
	51D014009	14 RPP 3 9 - 1F	14	13,37	12,61	16,0	16,0	11,5	17,5	-	0,007
	51D015009	15 RPP 3 9 - 1F	15	14,32	13,56	17,5	17,5	11,5	17,5	-	0,008
	51D016009	16 RPP 3 9 - 6F	16	15,28	14,52	18,0	10,0	12,8	20,6	4	0,005
	51D018009	18 RPP 3 9 - 6F	18	17,19	16,43	19,5	11,0	12,8	20,6	6	0,008
	51D020009	20 RPP 3 9 - 6F	20	19,10	18,34	23,0	13,0	12,8	20,6	6	0,011
	51D021009	21 RPP 3 9 - 6F	21	20,05	19,29	25,0	14,0	12,8	20,6	6	0,013
	51D022009	22 RPP 3 9 - 6F	22	21,01	20,25	25,0	14,0	12,8	20,6	6	0,020
	51D024009	24 RPP 3 9 - 6F	24	22,92	22,16	25,0	14,0	12,8	20,6	6	0,020
	51D026009	26 RPP 3 9 - 6F	26	24,83	24,07	28,0	16,0	12,8	20,6	6	0,020
	51D028009	28 RPP 3 9 - 6F	28	26,74	25,98	32,0	18,0	12,8	20,6	6	0,030
	51D030009	30 RPP 3 9 - 6F	30	28,65	27,89	32,0	20,0	12,8	20,6	6	0,030
	51D032009	32 RPP 3 9 - 6F	32	30,56	29,80	36,0	22,0	12,8	20,6	6	0,030
	51D036009	36 RPP 3 9 - 6F	36	34,38	33,62	38,0	26,0	13,4	22,2	6	0,050
	51D040009	40 RPP 3 9 - 6F	40	38,20	37,44	42,0	28,0	13,4	22,2	6	0,060
	51D044009	44 RPP 3 9 - 6F	44	42,02	41,26	48,0	33,0	13,4	22,2	6	0,070
	51D048009	48 RPP 3 9 - 6	48	45,84	45,08	-	33,0	13,4	22,2	8	0,070
	51D060009	60 RPP 3 9 - 6	60	57,30	56,54	-	33,0	13,4	22,2	8	0,110
	51D072009	72 RPP 3 9 - 6	72	68,75	67,99	-	33,0	13,4	22,2	8	0,150

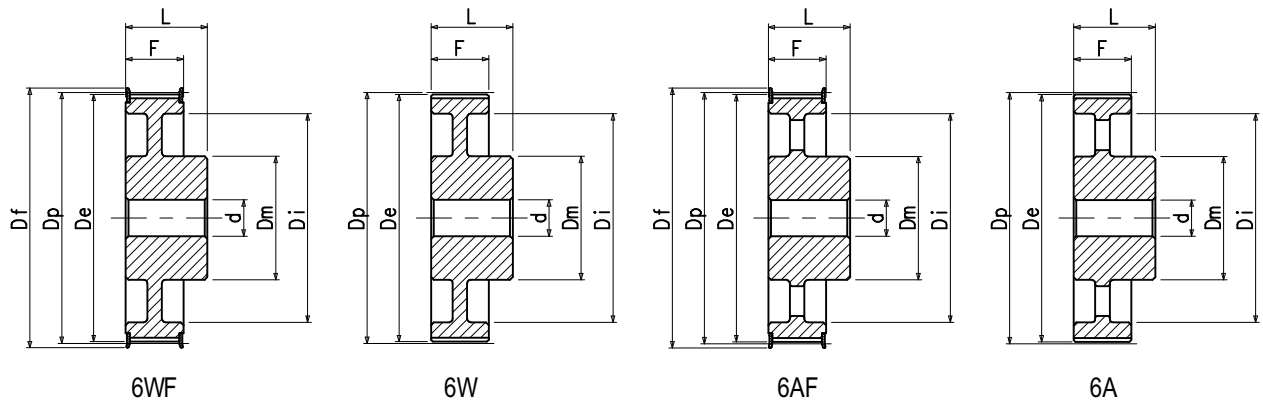
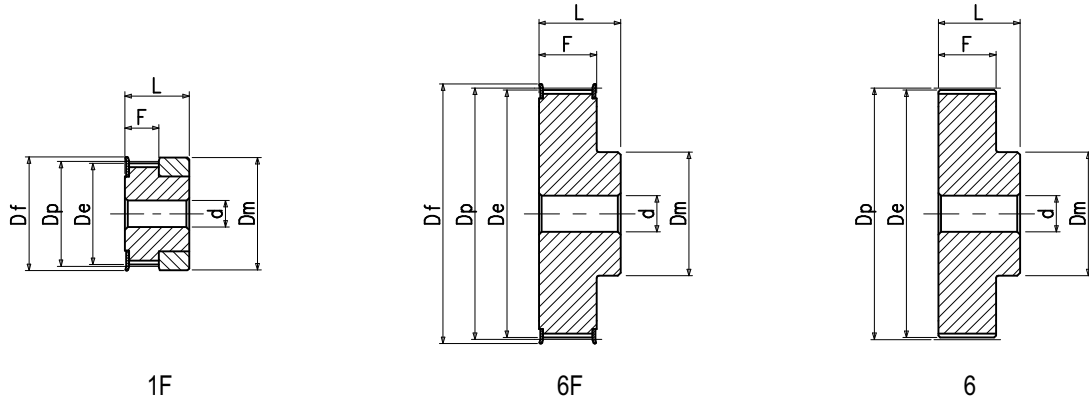
RPP 3 - 15 Passo - Pitch - Teilung - Pas - Paso 3 mm

Materiale Material Werkstoff Matériel Material	Codice Item number Codierung Code Código	Descrizione Designation Bezeichnung Désignation Referencia	N° denti N. of teeth Anzahl der Zähne Nombre de dents Cantidad de dientes	Dp mm	De mm	Df mm	Dm mm	F mm	L mm	d mm	Peso Weight Gewicht Poids Peso kg
Alluminio Aluminium Aluminium Aluminium Aluminio	51D010015	10 RPP 3 15 - 1F	10	9,55	8,79	13,0	13,0	18,0	26,0	-	0,003
	51D012015	12 RPP 3 15 - 1F	12	11,46	10,70	15,0	15,0	18,0	26,0	-	0,008
	51D014015	14 RPP 3 15 - 1F	14	13,37	12,61	16,0	16,0	18,0	26,0	-	0,010
	51D015015	15 RPP 3 15 - 1F	15	14,32	13,56	17,5	17,5	18,0	26,0	-	0,006
	51D016015	16 RPP 3 15 - 6F	16	15,28	14,52	18,0	10,0	19,5	26,0	4	0,009
	51D018015	18 RPP 3 15 - 6F	18	17,19	16,43	19,5	11,0	19,5	26,0	6	0,010
	51D020015	20 RPP 3 15 - 6F	20	19,10	18,34	23,0	13,0	19,5	26,0	6	0,014
	51D021015	21 RPP 3 15 - 6F	21	20,05	19,29	25,0	14,0	19,5	26,0	6	0,020
	51D022015	22 RPP 3 15 - 6F	22	21,01	20,25	25,0	14,0	19,5	26,0	6	0,020
	51D024015	24 RPP 3 15 - 6F	24	22,92	22,16	25,0	14,0	19,5	26,0	6	0,030
	51D026015	26 RPP 3 15 - 6F	26	24,83	24,07	28,0	16,0	19,5	26,0	6	0,030
	51D028015	28 RPP 3 15 - 6F	28	26,74	25,98	32,0	18,0	19,5	26,0	6	0,030
	51D030015	30 RPP 3 15 - 6F	30	28,65	27,89	32,0	20,0	19,5	26,0	6	0,040
	51D032015	32 RPP 3 15 - 6F	32	30,56	29,80	36,0	22,0	19,5	26,0	6	0,040
	51D036015	36 RPP 3 15 - 6F	36	34,38	33,62	38,0	26,0	20,0	30,0	6	0,060
	51D040015	40 RPP 3 15 - 6F	40	38,20	37,44	42,0	28,0	20,0	30,0	6	0,080
	51D044015	44 RPP 3 15 - 6F	44	42,02	41,26	48,0	33,0	20,0	30,0	6	0,100
	51D048015	48 RPP 3 15 - 6	48	45,84	45,08	-	33,0	20,0	30,0	8	0,100
	51D060015	60 RPP 3 15 - 6	60	57,30	56,54	-	33,0	20,0	30,0	8	0,150
	51D072015	72 RPP 3 15 - 6	72	68,75	67,99	-	33,0	20,0	30,0	8	0,210



Pulegge dentate RPP monoblocco

Monobloc RPP timing pulleys
 Monoblock RPP Zahnriemenscheiben
 Poulies dentées RPP moyeu plein
 Poleas dentadas RPP macizas



RPP 5 - 09 Passo - Pitch - Teilung - Pas - Paso 5 mm

Materiale Material Werkstoff Matériel Material	Codice Item number Codierung Code Código	Descrizione Designation Bezeichnung Désignation Referencia	N° denti N. of teeth Anzahl der Zähne Nombre de dents Cantidad de dientes	Dp	De	Df	Dm	Di	F	L	d	Peso Weight Gewicht Poids Peso
				mm	mm	mm	mm	mm	mm	mm	mm	kg
Acciaio Steel Stahl Acier Acero	51F012009	12 RPP 5 9 - 6F	12	19,10	17,96	23,0	13,0	-	14,5	20,0	4	0,030
	51F014009	14 RPP 5 9 - 6F	14	22,28	21,14	25,0	14,0	-	14,5	20,0	6	0,040
	51F015009	15 RPP 5 9 - 6F	15	23,87	22,73	28,0	16,0	-	14,5	20,0	6	0,050
	51F016009	16 RPP 5 9 - 6F	16	25,46	24,32	28,0	16,5	-	14,5	20,0	6	0,050
	51F018009	18 RPP 5 9 - 6F	18	28,65	27,51	32,0	20,0	-	14,5	20,0	6	0,070
	51F020009	20 RPP 5 9 - 6F	20	31,83	30,69	36,0	23,0	-	14,5	22,5	6	0,100
	51F021009	21 RPP 5 9 - 6F	21	33,42	32,28	38,0	24,0	-	14,5	22,5	6	0,110
	51F022009	22 RPP 5 9 - 6F	22	35,01	33,87	38,0	25,5	-	14,5	22,5	6	0,120
	51F024009	24 RPP 5 9 - 6F	24	38,20	37,06	42,0	27,0	-	14,5	22,5	6	0,140
	51F026009	26 RPP 5 9 - 6F	26	41,38	40,24	44,0	30,0	-	14,5	22,5	6	0,170
	51F028009	28 RPP 5 9 - 6F	28	44,56	43,42	48,0	30,5	-	14,5	22,5	6	0,200
	51F030009	30 RPP 5 9 - 6F	30	47,75	46,60	51,0	35,0	-	14,5	22,5	6	0,240
	51F032009	32 RPP 5 9 - 6F	32	50,93	49,79	54,0	38,0	-	14,5	22,5	8	0,270
	51F036009	36 RPP 5 9 - 6F	36	57,30	56,16	60,0	38,0	-	14,5	22,5	8	0,330
	51F040009	40 RPP 5 9 - 6F	40	63,66	62,52	71,0	38,0	-	14,5	22,5	8	0,400
	Alluminio Aluminium Aluminium Aluminium Aluminio	51F044009	44 RPP 5 9 - 6W	44	70,03	68,89	-	38,0	58,5	14,5	25,5	8
51F048009		48 RPP 5 9 - 6W	48	76,39	75,25	-	45,0	61,0	14,5	25,5	8	0,180
51F060009		60 RPP 5 9 - 6W	60	95,49	94,35	-	45,0	80,0	14,5	25,5	8	0,220
51F072009		72 RPP 5 9 - 6W	72	114,59	113,45	-	45,0	100,0	14,5	25,5	8	0,260



Pulegge dentate RPP monoblocco

Monobloc RPP timing pulleys
Monoblock RPP Zahnriemenscheiben
Poulies dentées RPP moyeu plein
Poleas dentadas RPP macizas

RPP 5 - 15 Passo - Pitch - Teilung - Pas - Paso 5 mm

Materiale Material Werkstoff Matériel Material	Codice Item number Codierung Code Código	Descrizione Designation Bezeichnung Désignation Referencia	N° denti N. of teeth Anzahl der Zähne Nombre de dents Cantidad de dientes	Dp	De	Df	Dm	Di	F	L	d	Peso Weight Gewicht Poids Peso
				mm	mm	mm	mm	mm	mm	mm	mm	kg
Acciaio Steel Stahl Acier Acero	51F012015	12 RPP 5 15 - 6F	12	19,10	17,96	23,0	13,0	-	20,5	26,0	4	0,040
	51F014015	14 RPP 5 15 - 6F	14	22,28	21,14	25,0	14,0	-	20,5	26,0	6	0,050
	51F015015	15 RPP 5 15 - 6F	15	23,87	22,73	28,0	16,0	-	20,5	26,0	6	0,060
	51F016015	16 RPP 5 15 - 6F	16	25,46	24,32	28,0	16,5	-	20,5	26,0	6	0,070
	51F018015	18 RPP 5 15 - 6F	18	28,65	27,51	32,0	20,0	-	20,5	26,0	6	0,090
	51F020015	20 RPP 5 15 - 6F	20	31,83	30,69	36,0	23,0	-	20,5	26,0	6	0,120
	51F021015	21 RPP 5 15 - 6F	21	33,42	32,28	38,0	24,0	-	20,5	26,0	6	0,130
	51F022015	22 RPP 5 15 - 6F	22	35,01	33,87	38,0	25,5	-	20,5	26,0	6	0,140
	51F024015	24 RPP 5 15 - 6F	24	38,20	37,06	42,0	27,0	-	20,5	28,0	6	0,180
	51F026015	26 RPP 5 15 - 6F	26	41,38	40,24	44,0	30,0	-	20,5	28,0	6	0,220
	51F028015	28 RPP 5 15 - 6F	28	44,56	43,42	48,0	30,5	-	20,5	28,0	6	0,250
	51F030015	30 RPP 5 15 - 6F	30	47,75	46,60	51,0	35,0	-	20,5	28,0	6	0,300
	51F032015	32 RPP 5 15 - 6F	32	50,93	49,79	54,0	38,0	-	20,5	28,0	8	0,350
	51F036015	36 RPP 5 15 - 6F	36	57,30	56,16	60,0	38,0	-	20,5	28,0	8	0,430
	51F040015	40 RPP 5 15 - 6F	40	63,66	62,52	71,0	38,0	-	20,5	28,0	8	0,520
	Alluminio Aluminium Aluminium Aluminium Aluminio	51F044015	44 RPP 5 15 - 6W	44	70,03	68,89	-	38,0	56,5	20,5	30,0	8
51F048015		48 RPP 5 15 - 6W	48	76,39	75,25	-	38,0	61,0	20,5	30,0	8	0,190
51F060015		60 RPP 5 15 - 6W	60	95,49	94,35	-	50,0	80,0	20,5	30,0	8	0,300
51F072015		72 RPP 5 15 - 6W	72	114,59	113,45	-	50,0	100,0	20,5	30,0	8	0,380

RPP 5 - 25 Passo - Pitch - Teilung - Pas - Paso 5 mm

Materiale Material Werkstoff Matériel Material	Codice Item number Codierung Code Código	Descrizione Designation Bezeichnung Désignation Referencia	N° denti N. of teeth Anzahl der Zähne Nombre de dents Cantidad de dientes	Dp	De	Df	Dm	Di	F	L	d	Peso Weight Gewicht Poids Peso
				mm	mm	mm	mm	mm	mm	mm	mm	kg
Acciaio Steel Stahl Acier Acero	51F012025	12 RPP 5 25 - 6F	12	19,10	17,96	23,0	13,0	-	30,0	36,0	4	0,050
	51F014025	14 RPP 5 25 - 6F	14	22,28	21,14	25,0	14,0	-	30,0	36,0	6	0,070
	51F015025	15 RPP 5 25 - 6F	15	23,87	22,73	28,0	16,0	-	30,0	36,0	6	0,080
	51F016025	16 RPP 5 25 - 6F	16	25,46	24,32	28,0	16,5	-	30,0	36,0	6	0,100
	51F018025	18 RPP 5 25 - 6F	18	28,65	27,51	32,0	20,0	-	30,0	36,0	6	0,120
	51F020025	20 RPP 5 25 - 6F	20	31,83	30,69	36,0	23,0	-	30,0	36,0	6	0,160
	51F021025	21 RPP 5 25 - 6F	21	33,42	32,28	38,0	24,0	-	30,0	38,0	6	0,190
	51F022025	22 RPP 5 25 - 6F	22	35,01	33,87	38,0	25,5	-	30,0	38,0	6	0,210
	51F024025	24 RPP 5 25 - 6F	24	38,20	37,06	42,0	27,0	-	30,0	38,0	6	0,250
	51F026025	26 RPP 5 25 - 6F	26	41,38	40,24	44,0	30,0	-	30,0	38,0	6	0,300
	51F028025	28 RPP 5 25 - 6F	28	44,56	43,42	48,0	30,5	-	30,0	38,0	6	0,350
	51F030025	30 RPP 5 25 - 6F	30	47,75	46,60	51,0	35,0	-	30,0	38,0	6	0,420
	51F032025	32 RPP 5 25 - 6F	32	50,93	49,79	54,0	38,0	-	30,0	38,0	8	0,480
	51F036025	36 RPP 5 25 - 6F	36	57,30	56,16	60,0	38,0	-	30,0	38,0	8	0,590
	51F040025	40 RPP 5 25 - 6F	40	63,66	62,52	71,0	38,0	-	30,0	38,0	8	0,740
	Alluminio Aluminium Aluminium Aluminium Aluminio	51F044025	44 RPP 5 25 - 6	44	70,03	68,89	-	38,0	-	30,0	40,0	8
51F048025		48 RPP 5 25 - 6W	48	76,39	75,25	-	38,0	61,0	30,0	40,0	8	0,280
51F060025		60 RPP 5 25 - 6W	60	95,49	94,35	-	50,0	80,0	30,0	40,0	8	0,430
51F072025		72 RPP 5 25 - 6W	72	114,59	113,45	-	50,0	100,0	30,0	40,0	8	0,520



Pulegge dentate RPP monoblocco

Monobloc RPP timing pulleys
 Monoblock RPP Zahnriemenscheiben
 Poulies dentées RPP moyeu plein
 Poleas dentadas RPP macizas

RPP 8 - 20 Passo - Pitch - Teilung - Pas - Paso 8 mm

Materiale Material Werkstoff Matériel Material	Codice Item number Codierung Code Código	Descrizione Designation Bezeichnung Désignation Referencia	N° denti N. of teeth Anzahl der Zähne Nombre de dents Cantidad de dientes	Dp mm	De mm	Df mm	Dm mm	Di mm	F mm	L mm	d mm	Peso Weight Gewicht Poids Peso kg
Acciaio Steel Stahl Acier Acero	51G022020	22 RPP 8 20 - 6F	22	56,02	54,65	60,0	43	-	28	38	12	0,54
	51G024020	24 RPP 8 20 - 6F	24	61,12	59,75	66,0	45	-	28	38	12	0,65
	51G026020	26 RPP 8 20 - 6F	26	66,21	64,84	71,0	50	-	28	38	12	0,80
	51G028020	28 RPP 8 20 - 6F	28	71,30	70,08	75,0	50	-	28	38	15	0,87
	51G030020	30 RPP 8 20 - 6F	30	76,39	75,13	83,0	55	-	28	38	15	1,02
	51G032020	32 RPP 8 20 - 6F	32	81,49	80,16	87,0	60	-	28	38	15	1,20
	51G034020	34 RPP 8 20 - 6F	34	86,58	85,22	91,0	70	-	28	38	15	1,40
	51G036020	36 RPP 8 20 - 6F	36	91,67	90,30	98,5	70	-	28	38	15	1,55
	51G038020	38 RPP 8 20 - 6F	38	96,77	95,39	103,0	75	-	28	38	15	1,75
Ghisa Cast iron Grauguß Fonte Fundición	51G040020	40 RPP 8 20 - 6F	40	101,86	100,49	106,0	75	-	28	38	15	1,75
	51G044020	44 RPP 8 20 - 6F	44	112,05	110,67	119,0	75	-	28	38	15	2,10
	51G048020	48 RPP 8 20 - 6F	48	122,23	120,86	127,0	75	-	28	38	15	2,44
	51G056020	56 RPP 8 20 - 6WF	56	142,60	141,23	148,0	80	117	28	38	15	2,55
	51G064020	64 RPP 8 20 - 6WF	64	162,97	161,60	168,0	80	137	28	38	15	2,93
	51G072020	72 RPP 8 20 - 6WF	72	183,35	181,97	192,0	80	158	28	38	15	3,54
	51G080020	80 RPP 8 20 - 6A	80	203,72	202,35	-	90	180	28	38	15	3,80
	51G090020	90 RPP 8 20 - 6A	90	229,18	227,81	-	90	204	28	38	15	4,20
	51G112020	112 RPP 8 20 - 6A	112	285,21	283,83	-	90	260	28	38	18	5,20
	51G144020	144 RPP 8 20 - 6A	144	366,69	365,32	-	90	341	28	38	20	7,50
	51G168020	168 RPP 8 20 - 6A	168	427,81	426,44	-	100	402	28	38	20	10,00
	51G192020	192 RPP 8 20 - 6A	192	488,92	487,55	-	100	460	28	38	20	14,40

RPP 8 - 30 Passo - Pitch - Teilung - Pas - Paso 8 mm

Materiale Material Werkstoff Matériel Material	Codice Item number Codierung Code Código	Descrizione Designation Bezeichnung Désignation Referencia	N° denti N. of teeth Anzahl der Zähne Nombre de dents Cantidad de dientes	Dp mm	De mm	Df mm	Dm mm	Di mm	F mm	L mm	d mm	Peso Weight Gewicht Poids Peso kg
Acciaio Steel Stahl Acier Acero	51G022030	22 RPP 8 30 - 6F	22	56,02	54,65	60,0	43	-	38	48	12	0,69
	51G024030	24 RPP 8 30 - 6F	24	61,12	59,75	66,0	45	-	38	48	12	0,84
	51G026030	26 RPP 8 30 - 6F	26	66,21	64,84	71,0	50	-	38	48	12	1,00
	51G028030	28 RPP 8 30 - 6F	28	71,30	70,08	75,0	50	-	38	48	15	1,12
	51G030030	30 RPP 8 30 - 6F	30	76,39	75,13	83,0	55	-	38	48	15	1,32
	51G032030	32 RPP 8 30 - 6F	32	81,49	80,16	87,0	60	-	38	48	15	1,53
	51G034030	34 RPP 8 30 - 6F	34	86,58	85,22	91,0	70	-	38	48	15	1,80
	51G036030	36 RPP 8 30 - 6F	36	91,67	90,30	98,5	70	-	38	48	15	1,99
	51G038030	38 RPP 8 30 - 6F	38	96,77	95,39	103,0	75	-	38	48	15	2,27
Ghisa Cast iron Grauguß Fonte Fundición	51G040030	40 RPP 8 30 - 6F	40	101,86	100,49	106,0	75	-	38	48	15	2,40
	51G044030	44 RPP 8 30 - 6F	44	112,05	110,67	119,0	75	-	38	48	15	2,70
	51G048030	48 RPP 8 30 - 6F	48	122,23	120,86	127,0	75	-	38	48	15	3,20
	51G056030	56 RPP 8 30 - 6WF	56	142,60	141,23	148,0	90	117	38	48	15	3,70
	51G064030	64 RPP 8 30 - 6WF	64	162,97	161,60	168,0	90	137	38	48	15	4,10
	51G072030	72 RPP 8 30 - 6WF	72	183,35	181,97	192,0	95	158	38	48	15	4,80
	51G080030	80 RPP 8 30 - 6A	80	203,72	202,35	-	100	180	38	48	15	5,10
	51G090030	90 RPP 8 30 - 6A	90	229,18	227,81	-	100	204	38	48	15	5,70
	51G112030	112 RPP 8 30 - 6A	112	285,21	283,83	-	100	260	38	48	18	6,80
	51G144030	144 RPP 8 30 - 6A	144	366,69	365,32	-	100	341	38	48	20	9,30
	51G168030	168 RPP 8 30 - 6A	168	427,81	426,44	-	100	402	38	48	20	11,40
	51G192030	192 RPP 8 30 - 6A	192	488,92	487,55	-	100	460	38	48	20	16,00



Pulegge dentate RPP monoblocco

Monobloc RPP timing pulleys
Monoblock RPP Zahnriemenscheiben
Poulies dentées RPP moyeu plein
Poleas dentadas RPP macizas

RPP 8 - 50 Passo - Pitch - Teilung - Pas - Paso 8 mm

Materiale Material Werkstoff Matériel Material	Codice Item number Codierung Code Código	Descrizione Designation Bezeichnung Désignation Referencia	N° denti N. of teeth Anzahl der Zähne Nombre de dents Cantidad de dientes	Dp mm	De mm	Df mm	Dm mm	Di mm	F mm	L mm	d mm	Peso Weight Gewicht Poids Peso kg
Acciaio Steel Stahl Acier Acero	51G022050	22 RPP 8 50 - 6F	22	56,02	54,65	60,0	43	-	60	70	12	1,00
	51G024050	24 RPP 8 50 - 6F	24	61,12	59,75	66,0	45	-	60	70	12	1,23
	51G026050	26 RPP 8 50 - 6F	26	66,21	64,84	71,0	50	-	60	70	12	1,50
	51G028050	28 RPP 8 50 - 6F	28	71,30	70,08	75,0	50	-	60	70	15	1,67
	51G030050	30 RPP 8 50 - 6F	30	76,39	75,13	83,0	55	-	60	70	15	1,97
	51G032050	32 RPP 8 50 - 6F	32	81,49	80,16	87,0	60	-	60	70	15	2,27
	51G034050	34 RPP 8 50 - 6F	34	86,58	85,22	91,0	70	-	60	70	15	2,64
	51G036050	36 RPP 8 50 - 6F	36	91,67	90,30	98,5	70	-	60	70	15	2,97
	51G038050	38 RPP 8 50 - 6F	38	96,77	95,39	103,0	75	-	60	70	15	3,35
Ghisa Cast iron Grauguß Fonte Fundición	51G040050	40 RPP 8 50 - 6F	40	101,86	100,49	106,0	75	-	60	70	18	3,50
	51G044050	44 RPP 8 50 - 6F	44	112,05	110,67	119,0	75	-	60	70	18	4,05
	51G048050	48 RPP 8 50 - 6F	48	122,23	120,86	127,0	75	-	60	70	18	4,80
	51G056050	56 RPP 8 50 - 10WF	56	142,60	141,23	148,0	90	117	60	60	18	5,20
	51G064050	64 RPP 8 50 - 10WF	64	162,97	161,60	168,0	100	137	60	60	18	5,60
	51G072050	72 RPP 8 50 - 10WF	72	183,35	181,97	192,0	100	158	60	60	18	6,80
	51G080050	80 RPP 8 50 - 10A	80	203,72	202,35	-	110	180	60	60	18	6,90
	51G090050	90 RPP 8 50 - 10A	90	229,18	227,81	-	110	204	60	60	18	8,60
	51G112050	112 RPP 8 50 - 10A	112	285,21	283,83	-	110	260	60	60	18	9,60
	51G144050	144 RPP 8 50 - 10A	144	366,69	365,32	-	110	341	60	60	20	13,80
	51G168050	168 RPP 8 50 - 10A	168	427,81	426,44	-	120	402	60	60	20	16,00
	51G192050	192 RPP 8 50 - 10A	192	488,92	487,55	-	130	460	60	60	20	22,40

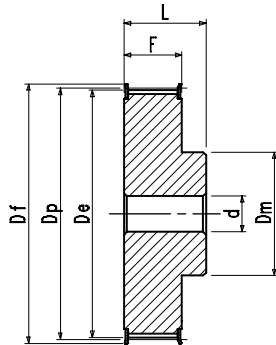
RPP 8 - 85 Passo - Pitch - Teilung - Pas - Paso 8 mm

Materiale Material Werkstoff Matériel Material	Codice Item number Codierung Code Código	Descrizione Designation Bezeichnung Désignation Referencia	N° denti N. of teeth Anzahl der Zähne Nombre de dents Cantidad de dientes	Dp mm	De mm	Df mm	Dm mm	Di mm	F mm	L mm	d mm	Peso Weight Gewicht Poids Peso kg
Acciaio Steel Stahl Acier Acero	51G022085	22 RPP 8 85 - 6F	22	56,02	54,65	60,0	43	-	95	105	12	1,55
	51G024085	24 RPP 8 85 - 6F	24	61,12	59,75	66,0	45	-	95	105	12	1,90
	51G026085	26 RPP 8 85 - 6F	26	66,21	64,84	71,0	50	-	95	105	12	2,25
	51G028085	28 RPP 8 85 - 6F	28	71,30	70,08	75,0	50	-	95	105	15	2,55
	51G030085	30 RPP 8 85 - 6F	30	76,39	75,13	83,0	55	-	95	105	15	3,00
	51G032085	32 RPP 8 85 - 6F	32	81,49	80,16	87,0	60	-	95	105	15	3,57
	51G034085	34 RPP 8 85 - 6F	34	86,58	85,22	91,0	70	-	95	105	15	4,00
	51G036085	36 RPP 8 85 - 6F	36	91,67	90,30	98,5	70	-	95	105	15	4,50
	51G038085	38 RPP 8 85 - 6F	38	96,77	95,39	103,0	75	-	95	105	15	5,10
Ghisa Cast iron Grauguß Fonte Fundición	51G040085	40 RPP 8 85 - 6F	40	101,86	100,49	106,0	75	-	95	105	18	5,00
	51G044085	44 RPP 8 85 - 6F	44	112,05	110,67	119,0	75	-	95	105	18	6,60
	51G048085	48 RPP 8 85 - 6F	48	122,23	120,86	127,0	75	-	95	105	18	7,00
	51G056085	56 RPP 8 85 - 6F	56	142,60	141,23	148,0	80	-	95	105	20	10,00
	51G064085	64 RPP 8 85 - 10WF	64	162,97	161,60	168,0	100	137	95	95	20	10,30
	51G072085	72 RPP 8 85 - 10WF	72	183,35	181,97	192,0	110	158	95	95	20	11,40
	51G080085	80 RPP 8 85 - 10A	80	203,72	202,35	-	110	180	95	95	20	11,10
	51G090085	90 RPP 8 85 - 10A	90	229,18	227,81	-	110	204	95	95	20	12,80
	51G112085	112 RPP 8 85 - 10A	112	285,21	283,83	-	110	260	95	95	24	15,00
	51G144085	144 RPP 8 85 - 10A	144	366,69	365,32	-	120	341	95	95	24	21,30
	51G168085	168 RPP 8 85 - 10A	168	427,81	426,44	-	120	402	95	95	24	24,10
	51G192085	192 RPP 8 85 - 10A	192	488,92	487,55	-	130	460	95	95	24	30,60

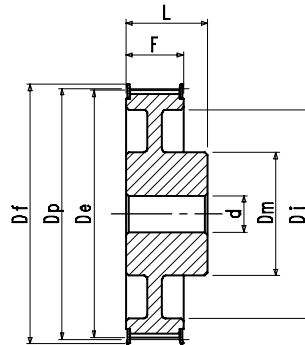


Pulegge dentate RPP monoblocco

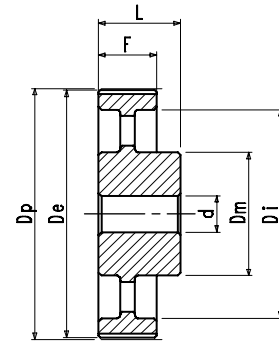
Monobloc RPP timing pulleys
 Monoblock RPP Zahnriemenscheiben
 Poulies dentées RPP moyeu plein
 Poleas dentadas RPP macizas



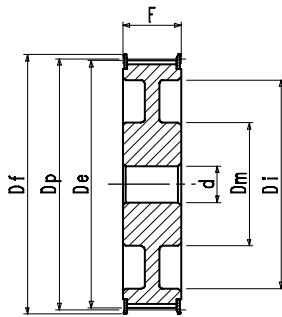
6F



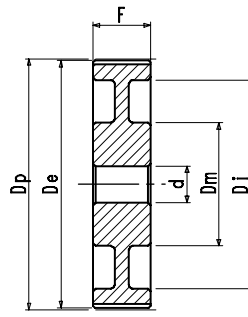
6WF



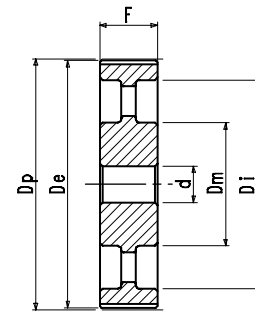
6A



10WF



10W



10A

RPP 14 - 40 Passo - Pitch - Teilung - Pas - Paso 14 mm

Materiale Material Werkstoff Matériel Material	Codice Item number Codierung Code Código	Descrizione Designation Bezeichnung Désignation Referencia	N° denti N. of teeth Anzahl der Zähne Nombre de dents Cantidad de dientes	Dp	De	Df	Dm	Di	F	L	d	Peso Weight Gewicht Poids Peso
				mm	mm	mm	mm	mm	mm	mm	mm	kg
Ghisa Cast Iron Grauguß Fonte Fundición	51I028040	28 RPP14 40 - 6F	28	124,78	122,12	127	100	-	54	69	24	4,73
	51I029040	29 RPP14 40 - 6F	29	129,23	126,57	138	100	-	54	69	24	5,15
	51I030040	30 RPP14 40 - 6F	30	133,69	130,99	138	100	-	54	69	24	5,40
	51I032040	32 RPP14 40 - 6F	32	142,60	139,88	154	100	-	54	69	24	6,50
	51I034040	34 RPP14 40 - 6F	34	151,52	148,79	160	100	-	54	69	24	6,60
	51I036040	36 RPP14 40 - 6F	36	160,43	157,68	168	100	-	54	69	24	7,70
	51I038040	38 RPP14 40 - 6F	38	169,34	166,60	183	120	-	54	69	24	9,00
	51I040040	40 RPP14 40 - 6F	40	178,25	175,49	188	120	-	54	69	24	9,60
	51I044040	44 RPP14 40 - 6F	44	196,08	193,28	211	120	-	54	69	24	11,80
	51I048040	48 RPP14 40 - 6WF	48	213,90	211,11	226	135	172	54	69	24	12,00
	51I056040	56 RPP14 40 - 6WF	56	249,55	246,76	256	135	207	54	69	28	14,00
	51I064040	64 RPP14 40 - 6WF	64	285,21	282,41	296	135	242	54	69	28	16,50
	51I072040	72 RPP14 40 - 6A	72	320,86	318,06	-	135	278	54	69	28	16,50
	51I080040	80 RPP14 40 - 6A	80	356,51	353,71	-	135	314	54	69	28	18,50
	51I090040	90 RPP14 40 - 6A	90	401,07	398,28	-	135	358	54	69	28	20,00
	51I112040	112 RPP14 40 - 6A	112	499,11	496,32	-	135	456	54	69	28	26,70
	51I144040	144 RPP14 40 - 6A	144	641,71	638,92	-	135	600	54	69	28	35,00
	51I168040	168 RPP14 40 - 6A	168	748,66	745,87	-	135	706	54	69	28	44,20
	51I192040	192 RPP14 40 - 6A	192	855,62	852,82	-	135	813	54	69	28	52,20
	51I216040	216 RPP14 40 - 6A *	216	962,57	959,76	-	150	920	54	69	28	54,00

* A richiesta - On request - Auf Anfrage - Sur demande - Bajo consulta.



Pulegge dentate RPP monoblocco

Monobloc RPP timing pulleys
Monoblock RPP Zahnriemenscheiben
Poulies dentées RPP moyeu plein
Poleas dentadas RPP macizas

RPP 14 - 55 Passo - Pitch - Teilung - Pas - Paso 14 mm

Materiale Material Werkstoff Matériel Material	Codice Item number Codierung Code Código	Descrizione Designation Bezeichnung Désignation Referencia	N° denti N. of teeth Anzahl der Zähne Nombre de dents Cantidad de dientes	Dp mm	De mm	Df mm	Dm mm	Di mm	F mm	L mm	d mm	Peso Weight Gewicht Poids Peso kg
Ghisa Cast Iron Grauguß Fonte Fundición	51I028055	28 RPP14 55 - 6F	28	124,78	122,12	127	100	-	70	85	24	5,60
	51I029055	29 RPP14 55 - 6F	29	129,23	126,57	138	100	-	70	85	24	6,20
	51I030055	30 RPP14 55 - 6F	30	133,69	130,99	138	100	-	70	85	24	7,00
	51I032055	32 RPP14 55 - 6F	32	142,60	139,88	154	100	-	70	85	24	7,80
	51I034055	34 RPP14 55 - 6F	34	151,52	148,79	160	100	-	70	85	24	8,30
	51I036055	36 RPP14 55 - 6F	36	160,43	157,68	168	100	-	70	85	24	9,60
	51I038055	38 RPP14 55 - 6F	38	169,34	166,60	183	120	-	70	85	24	11,20
	51I040055	40 RPP14 55 - 6F	40	178,25	175,49	188	120	-	70	85	24	12,50
	51I044055	44 RPP14 55 - 6F	44	196,08	193,28	211	120	-	70	85	24	15,00
	51I048055	48 RPP14 55 - 10WF	48	213,90	211,11	226	135	172	70	70	24	13,70
	51I056055	56 RPP14 55 - 10WF	56	249,55	246,76	256	135	207	70	70	28	15,20
	51I064055	64 RPP14 55 - 10WF	64	285,21	282,41	296	135	242	70	70	28	18,70
	51I072055	72 RPP14 55 - 10A	72	320,86	318,06	-	135	278	70	70	28	19,20
	51I080055	80 RPP14 55 - 10A	80	356,51	353,71	-	135	314	70	70	28	20,00
	51I090055	90 RPP14 55 - 10A	90	401,07	398,28	-	135	358	70	70	28	22,60
	51I112055	112 RPP14 55 - 10A	112	499,11	496,32	-	135	456	70	70	28	29,50
	51I144055	144 RPP14 55 - 10A	144	641,71	638,92	-	135	600	70	70	28	39,00
	51I168055	168 RPP14 55 - 10A	168	748,66	745,87	-	135	706	70	70	28	51,00
	51I192055	192 RPP14 55 - 10A	192	855,62	852,82	-	135	813	70	70	28	58,50
	51I216055	216 RPP14 55 - 10A *	216	962,57	959,76	-	150	920	70	70	28	63,00

RPP 14 - 85 Passo - Pitch - Teilung - Pas - Paso 14 mm

Materiale Material Werkstoff Matériel Material	Codice Item number Codierung Code Código	Descrizione Designation Bezeichnung Désignation Referencia	N° denti N. of teeth Anzahl der Zähne Nombre de dents Cantidad de dientes	Dp mm	De mm	Df mm	Dm mm	Di mm	F mm	L mm	d mm	Peso Weight Gewicht Poids Peso kg
Ghisa Cast Iron Grauguß Fonte Fundición	51I028085	28 RPP14 85 - 6F	28	124,78	122,12	127	100	-	102	117	24	8,30
	51I029085	29 RPP14 85 - 6F	29	129,23	126,57	138	100	-	102	117	24	9,60
	51I030085	30 RPP14 85 - 6F	30	133,69	130,99	138	100	-	102	117	24	9,00
	51I032085	32 RPP14 85 - 6F	32	142,60	139,88	154	100	-	102	117	24	11,00
	51I034085	34 RPP14 85 - 6F	34	151,52	148,79	160	100	-	102	117	24	12,00
	51I036085	36 RPP14 85 - 6F	36	160,43	157,68	168	100	-	102	117	32	13,20
	51I038085	38 RPP14 85 - 6F	38	169,34	166,60	183	120	-	102	117	32	15,20
	51I040085	40 RPP14 85 - 6F	40	178,25	175,49	188	135	-	102	117	32	17,10
	51I044085	44 RPP14 85 - 6F	44	196,08	193,28	211	135	-	102	117	32	21,20
	51I048085	48 RPP14 85 - 6F	48	213,90	211,11	226	150	-	102	117	32	25,30
	51I056085	56 RPP14 85 - 10WF	56	249,55	246,76	256	150	207	102	102	32	23,40
	51I064085	64 RPP14 85 - 10WF	64	285,21	282,41	296	150	242	102	102	32	27,20
	51I072085	72 RPP14 85 - 10A	72	320,86	318,06	-	150	278	102	102	32	28,80
	51I080085	80 RPP14 85 - 10A	80	356,51	353,71	-	150	314	102	102	32	30,10
	51I090085	90 RPP14 85 - 10A	90	401,07	398,28	-	150	358	102	102	32	33,00
	51I112085	112 RPP14 85 - 10A	112	499,11	496,32	-	150	456	102	102	32	41,80
	51I144085	144 RPP14 85 - 10A	144	641,71	638,92	-	150	600	102	102	32	52,40
	51I168085	168 RPP14 85 - 10A	168	748,66	745,87	-	150	706	102	102	32	60,30
	51I192085	192 RPP14 85 - 10A	192	855,62	852,82	-	165	813	102	102	32	86,00
	51I216085	216 RPP14 85 - 10A *	216	962,57	959,76	-	165	920	102	102	32	88,00

* A richiesta - On request - Auf Anfrage - Sur demande - Bajo consulta.



Pulegge dentate RPP monoblocco

Monobloc RPP timing pulleys
Monoblock RPP Zahnriemenscheiben
Poulies dentées RPP moyeu plein
Poleas dentadas RPP macizas

RPP 14 - 115 Passo - Pitch - Teilung - Pas - Paso 14 mm

Materiale Material Werkstoff Matériel Material	Codice Item number Codierung Code Código	Descrizione Designation Bezeichnung Désignation Referencia	N° denti N. of teeth Anzahl der Zähne Nombre de dents Cantidad de dientes	Dp mm	De mm	Df mm	Dm mm	Di mm	F mm	L mm	d mm	Peso Weight Gewicht Poids Peso kg
Ghisa Cast iron Grauguß Fonte Fundición	51I028115	28 RPP14 115 - 6F	28	124,78	122,12	127	100	-	133	148	32	10,00
	51I029115	29 RPP14 115 - 6F	29	129,23	126,57	138	100	-	133	148	32	11,00
	51I030115	30 RPP14 115 - 6F	30	133,69	130,99	138	100	-	133	148	32	11,50
	51I032115	32 RPP14 115 - 6F	32	142,60	139,88	154	100	-	133	148	32	13,20
	51I034115	34 RPP14 115 - 6F	34	151,52	148,79	160	100	-	133	148	32	14,80
	51I036115	36 RPP14 115 - 6F	36	160,43	157,68	168	120	-	133	148	32	16,60
	51I038115	38 RPP14 115 - 6F	38	169,34	166,60	183	120	-	133	148	32	19,50
	51I040115	40 RPP14 115 - 6F	40	178,25	175,49	188	135	-	133	148	32	22,10
	51I044115	44 RPP14 115 - 6F	44	196,08	193,28	211	140	-	133	148	32	27,00
	51I048115	48 RPP14 115 - 6F	48	213,90	211,11	226	150	-	133	148	32	32,00
	51I056115	56 RPP14 115 - 6F	56	249,55	246,76	256	150	-	133	148	32	44,20
	51I064115	64 RPP14 115 - 10WF	64	285,21	282,41	296	150	242	133	133	32	34,50
	51I072115	72 RPP14 115 - 10A	72	320,86	318,06	-	150	278	133	133	32	36,10
	51I080115	80 RPP14 115 - 10A	80	356,51	353,71	-	150	314	133	133	32	38,60
	51I090115	90 RPP14 115 - 10A	90	401,07	398,28	-	150	358	133	133	32	41,00
	51I112115	112 RPP14 115 - 10A	112	499,11	496,32	-	150	456	133	133	32	52,00
	51I144115	144 RPP14 115 - 10A	144	641,71	638,92	-	165	600	133	133	32	67,80
	51I168115	168 RPP14 115 - 10A	168	748,66	745,87	-	165	706	133	133	32	84,00
	51I192115	192 RPP14 115 - 10A	192	855,62	852,82	-	165	813	133	133	32	101,00
	51I216115	216 RPP14 115 - 10A *	216	962,57	959,76	-	165	920	133	133	32	112,00

RPP 14 - 170 Passo - Pitch - Teilung - Pas - Paso 14 mm

Materiale Material Werkstoff Matériel Material	Codice Item number Codierung Code Código	Descrizione Designation Bezeichnung Désignation Referencia	N° denti N. of teeth Anzahl der Zähne Nombre de dents Cantidad de dientes	Dp mm	De mm	Df mm	Dm mm	Di mm	F mm	L mm	d mm	Peso Weight Gewicht Poids Peso kg
Ghisa Cast iron Grauguß Fonte Fundición	51I028170	28 RPP14 170 - 6F	28	124,78	122,12	127	100	-	187	202	32	13,80
	51I029170	29 RPP14 170 - 6F	29	129,23	126,57	138	100	-	187	202	32	14,20
	51I030170	30 RPP14 170 - 6F	30	133,69	130,99	138	100	-	187	202	32	15,60
	51I032170	32 RPP14 170 - 6F	32	142,60	139,88	154	100	-	187	202	32	18,10
	51I034170	34 RPP14 170 - 6F	34	151,52	148,79	160	100	-	187	202	32	20,40
	51I036170	36 RPP14 170 - 6F	36	160,43	157,68	168	120	-	187	202	32	23,50
	51I038170	38 RPP14 170 - 6F	38	169,34	166,60	183	135	-	187	202	32	26,50
	51I040170	40 RPP14 170 - 6F	40	178,25	175,49	188	140	-	187	202	32	30,10
	51I044170	44 RPP14 170 - 6F	44	196,08	193,28	211	160	-	187	202	32	37,80
	51I048170	48 RPP14 170 - 6F	48	213,90	211,11	226	160	-	187	202	32	44,50
	51I056170	56 RPP14 170 - 6F	56	249,55	246,76	256	160	-	187	202	32	61,00
	51I064170	64 RPP14 170 - 6F	64	285,21	282,41	296	180	-	187	202	32	81,00
	51I072170	72 RPP14 170 - 10W	72	320,86	318,06	-	180	278	187	187	32	61,40
	51I080170	80 RPP14 170 - 10W	80	356,51	353,71	-	180	314	187	187	32	65,00
	51I090170	90 RPP14 170 - 10A	90	401,07	398,28	-	180	358	187	187	38	68,00
	51I112170	112 RPP14 170 - 10A	112	499,11	496,32	-	200	456	187	187	38	87,50
	51I144170	144 RPP14 170 - 10A	144	641,71	638,92	-	220	600	187	187	38	114,00
	51I168170	168 RPP14 170 - 10A	168	748,66	745,87	-	220	706	187	187	38	142,00
	51I192170	192 RPP14 170 - 10A	192	855,62	852,82	-	220	813	187	187	38	157,50
	51I216170	216 RPP14 170 - 10A *	216	962,57	959,76	-	220	920	187	187	38	173,00

* A richiesta - On request - Auf Anfrage - Sur demande - Bajo consulta.



POGGI®